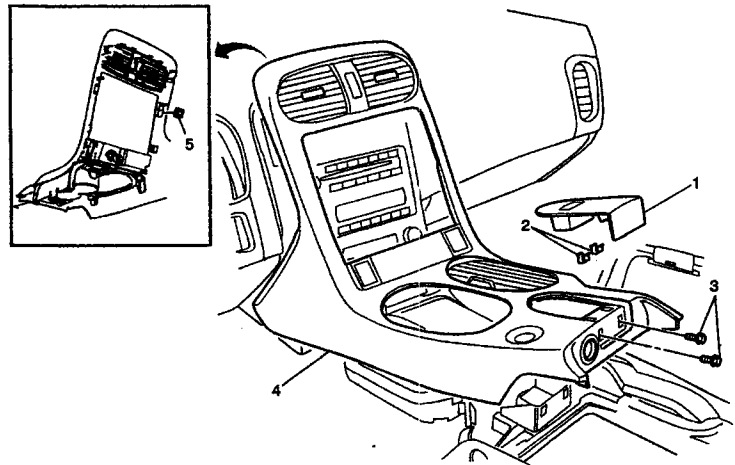
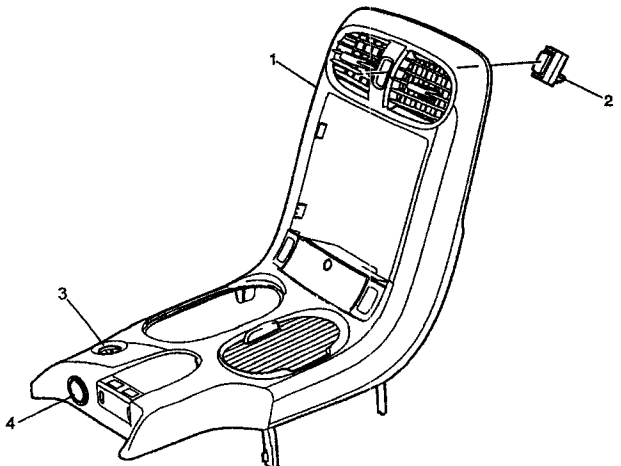


Plate Assembly Instrument Panel Accessory Trim

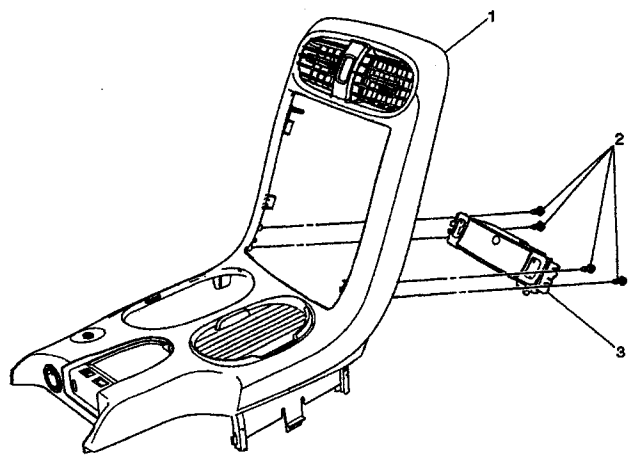
- 1. Grasp the back edge of the plate assembly floor console trim (1) and lift upward releasing the clips.
- 2. Disconnect the electrical connections.



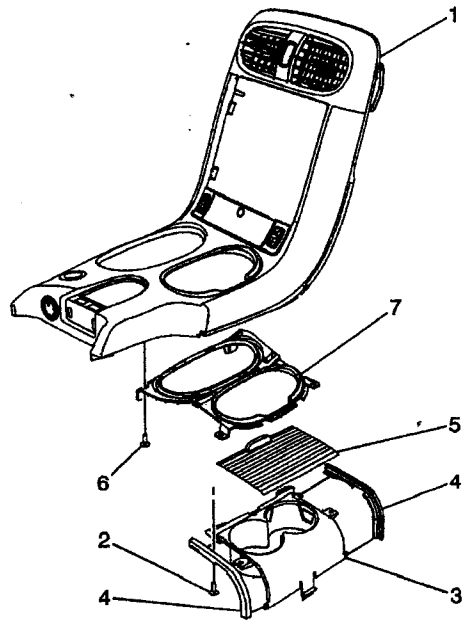
- 3. Remove the electronics from the old plate assembly floor console trim.
- 4. Attach the electronics to the new plate assembly floor console trim (if applicable). If equipped with ride control switch, reuse the ride control switch in place of the painted plate assembly floor console trim.
- 5. Remove the bolts (3).
- 6. Grasp the back edge of the plate assembly instrument panel accessory trim (4) and lift upward releasing the clips.
- 7. Disconnect the electrical connections.
- 8. Remove the electronics (2, 3, &4) from the plate assembly instrument panel accessory trim.



- 9. Remove the ashtray from the plate assembly instrument panel accessory trim.



- 10. Remove the cup holder assembly from the plate assembly instrument panel accessory trim.



- 11. Remove the air vents from the plate assembly instrument panel accessory trim.
- 12. Attach the electronics to the new plate assembly instrument panel accessory trim.
- 13. Attach the ashtray to the new plate assembly instrument panel accessory trim and tighten the screws to 2 N·m (18 lb in).
- 14. Attach the cup holder assembly to the new plate assembly instrument panel accessory trim and tighten the screws to 2 N·m (18 lb in).

Corvette Trim Package

PART NO. **88967981** SHEET **1** OF **6**

DATE	REVISION	AUTH	DR	TITLE
12OC04	Initial Release-Long Vu			

INSTALLATION INSTRUCTIONS

Corvette Trim Package

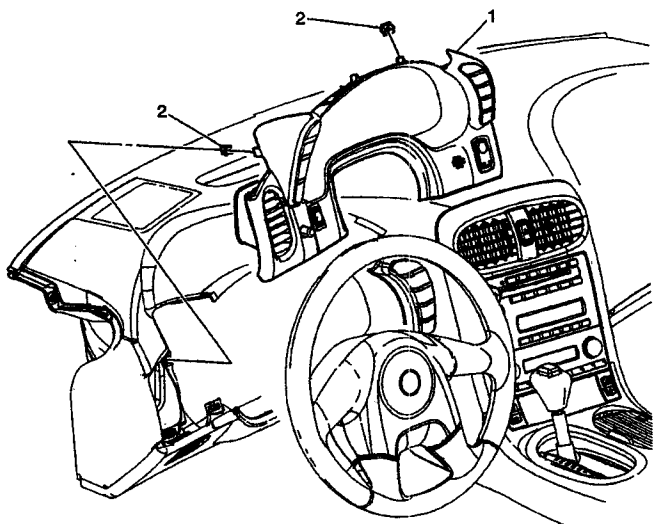
INFORMATION WITHIN ABOVE ORDER TO BE PRINTED EXACTLY AS SHOWN ON 8.5 x 11 WHITE 16 POUND NON-BOND RECYCLABLE PAPER. PRINT ON BOTH SIDES, EXCLUDING

Attach the air vents to the new plate assembly instrument panel accessory trim.

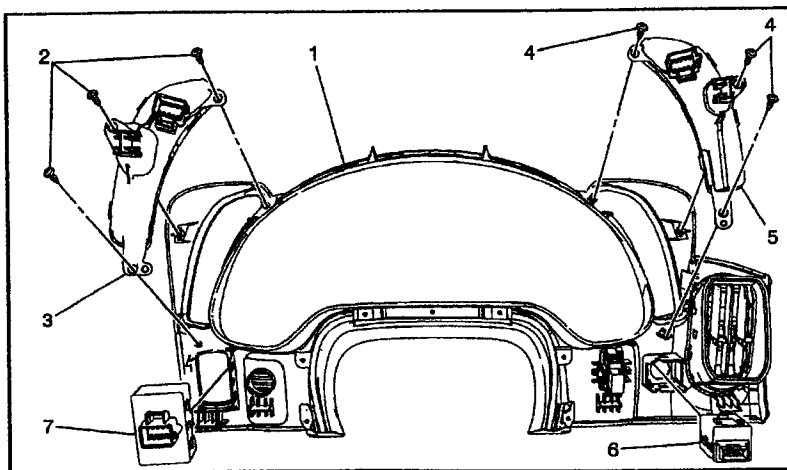
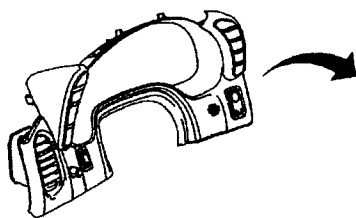
6. Install the new plate assembly instrument panel accessory trim. Reconnect the electrical connections.
7. Insert the bolts and tighten to 3 N·m (27 lb in).
8. Attach the new plate assembly floor console trim (if applicable) to the new plate assembly instrument panel accessory trim.

Instrument Panel Cluster Trim Plate

9. Lower the steering column to its lowest position.
10. Pull outward on the lower edge of the instrument panel cluster trim plate in order to release the lower clips.
11. Disconnect the electrical connections.



12. Remove the vent and attach it to the new instrument panel cluster trim plate.
13. Remove the electronics and attach it to the new instrument panel cluster trim plate.



24. Remove the vinyl shroud and attach it to the new instrument panel cluster trim plate using the new push nuts (qty. 7) provided.
25. Install the new instrument panel cluster trim plate. Reconnect the electrical connections.

Corvette Trim Package

PART NO. **88967981** SHEET **2** OF **6**

ALL INFORMATION WITHIN ABOVE ORDER TO BE PRINTED EXACTLY AS SHOWN ON 8.5 x 11 WHITE 16 POUND NON-BOND CYCLABLE PAPER. PRINT ON BOTH SIDES, EXCLUD-

DATE	REVISION	AUTH	DR	TITLE

INSTALLATION INSTRUCTIONS

Corvette Trim Package