



## Eckler's Fiberglass Repair Materials

Eckler's Repair Materials will work on all fiberglass types used on 1963-67 Corvettes. **These repair materials are not formulated to work on 1973 and later Corvettes with SMC body panels.**

Shelf Life Note: Eckler's repair materials, except for spray gelcoat, have an approximate shelf life of six months, depending upon usage and storage conditions. Eckler's Spray Gelcoat should be used within 90 days for best results.

### Spray Gelcoat

The only product available that will permanently seal errant fiberglass strands. Spray gelcoat's unmatched sealing qualities also prevents body fillers from bleeding through. MEKP hardener included. Usage is approximately two gallons for an entire Corvette.

10710 \* Gallon 99.99 ea. 10709 \* Quart 29.99 ea.

### Bonding Adhesive

Eckler's "Original" bonding adhesive is specially formulated to provide unsurpassed adhesion when bonding or repairing fiberglass. Easy to mix cream hardener is included. Adhesive cannot be used as a surface filler.

10704 \* Gallon Bad Tag! 10703 \* Quart 27.99 ea.

### Resin

Eckler's resin is specifically formulated to provide outstanding adhesion and cure hard without shrinkage. MEKP hardener included. Not to be compared to general purpose resins.

10707 \* Quart 24.99 ea.

### Body Filler

Eckler's body filler is formulated to virtually eliminate intolerable shrinkage, pinholing and bleed-through found in other fillers. Cream hardener included.

10705 \* Quart 24.99 ea.

*Repair Material Return Notice: This product must be returned within 30 days of ship date in order to return or receive a refund. No exceptions.*

### Restoration Formula Panel Bonding Adhesive

Same color, consistency and texture of the material originally used at the factory (thru the 1972 model). Excellent bonding and finishing characteristics. Adheres to all press molded and hand laminated fiberglass. MEKP hardener included.

34266 \* Gallon 154.99 ea.



### Roller

• 1/2" x 3" Roller

10720 9.99 ea.



### Fiberglass Mat

1-1/2 oz. mat is for use with Eckler's resin.

10712 50" x 36" 12.99 ea.

10713 50" x 108" 24.99 ea.



## Spra-Strip Paint Remover

Quickly and easily removes paint without affecting the factory gelcoat (when properly used). Spra-Strip works well on the following paint finishes: lacquer, enamel, iron, acrylic, epoxy and polyurethanes. Supplied in a one gallon can. Spray bottle included.

88-0169-1\* 39.99 gl.

\* Cannot be sold to California or Canadian customers



## Repair Materials For SMC (Sheet Molded Compound Fiberglass)

### Epoxy Bonding Adhesive

Manufactured by Lord Corp., Fusor Epoxy is ideal for general repair and bonding of SMC fiberglass. Two-part mixture.

27281\* 2-Quart Unit 129.99 kit

### Resin (Sheet Molded Formula)

10698\* 1-Quart Unit 39.99 ea.

### Body Filler (Sheet Molded Formula)

10701\* 1-Quart Unit 27.99 ea.

*Repair Material Return Notice: This product must be returned within 30 days of ship date in order to return or receive a refund. No exceptions.*



### Hardener

Needed in colder climates to accelerate curing of materials.

10721 MEKP \* 11cc tube 4.99 ea.

10702 Cream \* 4oz. 9.99 ea.



## Eckler's "How To DVDs"

Let experts walk you step-by-step to a perfect repair installation in our "How To DVDs."

Volume I on fiberglass covers repairing stress cracks, spraying gelcoat and preparing new parts for paint.

Volume II covers the repair of holes and fractures (including smc panels) plus the demonstration of quarter panel replacement on a 1968-82 Corvette. Each DVD is approximately 60 minutes.

46383 DVD Fiberglass Volume I 24.99 ea.

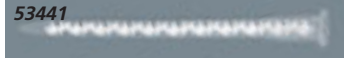
46384 DVD Fiberglass Volume II 24.99 ea.

\* Products on this page cannot be shipped by air



## 50mil Cartridge Epoxy Bonding Adhesive

- Smaller Amount For Smaller Jobs
- High Strength Bonds
- Excellent Environmental & Chemical Resistance
- Full Strength Cure Rate in 24 Hours
- Used For Sheet Molded Compound Fiberglass
- 50ML • Used With P/N 53441 & 53442
- P/N 53440 Cannot Ship By Air



53440	50 mil Cartridge	24.99 ea.
53441	Nozzle (Use With 53440 & 53442)	1.99 ea.
53442	Plunger (Use With 53440 & 53441)	2.99 ea.



## ECKLER'S® "True Quality" Hand Laminated Front Ends & Components

- Beautifully Smooth, Soft Sanding Gelcoat
- Quality Hand Laminated Multi Layer Construction
- Stronger & Easier-To-Install One-Piece Construction



10742



10752



10753

### 1953-62 Front Ends (Door to Door)

- Quality Hand Laminated Construction
- Soft Sanding Gelcoat
- Easy-To-Install One-Piece Construction

10728	1953-55		(Not Shown)	1199.99 ea.
10742	1956-57			1199.99 ea.

10752	1958-60			1449.99 ea.
10753	1961			1449.99 ea.
10754	1962		(Not Shown)	1449.99 ea.



10406



10407

### 1958-62 Hand Laminated Hoods

10406	1958		679.99 ea.	10407	1959-62		679.99 ea.
-------	------	--	------------	-------	---------	--	------------



10774

10773

### 1958-62 Hand Laminated Inner Fender Skirts

- Quality Hand Laminated Construction

10773	Left		279.99 ea.	10774	Right		279.99 ea.
-------	------	--	------------	-------	-------	--	------------

## Press Molded Front Ends & Components

- Smooth, Pressed Finish Front And Back
  - Resin Pigmented To Original Factory Colors
- Those demanding absolute authenticity of their restoration parts will find nothing better than these press molded, resin dyed fiberglass front end parts. Manufactured to the most stringent

tolerances, these parts are indistinguishable from factory parts in color, configuration, uniformity and fit.



## 1956-57 Press Molded Front End Components

• Original Factory Adhesive Color And Texture

31305	Right Headlight Bucket Retainer	63.99 ea.
31306	Left Headlight Bucket Retainer	63.99 ea.
31308	Left Grille Opening Bonding Strip	29.99 ea.
31307	Right Grille Opening Bonding Strip	29.99 ea.
31304	Left Front Surround To Front Valance Panel Bonding Strip	55.99 ea.
31303	Right Front Surround To Front Valance Panel Bonding Strip	55.99 ea.
31300	Left Upper Surround To Side Fender Bonding Strip	114.99 ea.
31299	Right Upper Surround To Side Fender Bonding Strip	114.99 ea.
31317	Left Radiator Support Bonding Strip	87.99 ea.
31316	Right Radiator Support Bonding Strip	87.99 ea.
31319	Left Upper Radiator Support Bonding Strip	37.99 ea.
31318	Right Upper Radiator Support Bonding Strip	37.99 ea.
31302	Left Front Wheel Well Opening Bonding Strip	89.99 ea.
31301	Right Front Wheel Well Opening Bonding Strip	89.99 ea.
31315	Radiator Support Lower Panel	134.99 ea.
31314	Radiator Support Upper Panel	134.99 ea.
31312	Left Side Radiator Support	129.99 ea.
31311	Right Side Radiator Support	129.99 ea.

## 1958-62 Side Fender Louvers Insert

31337	1958-61 Right *	35.99 ea.
31338	1958-61 Left *	35.99 ea.
31973	1962 Left	49.99 ea.
31974	1962 Right	49.99 ea.

\* Hand Laminated



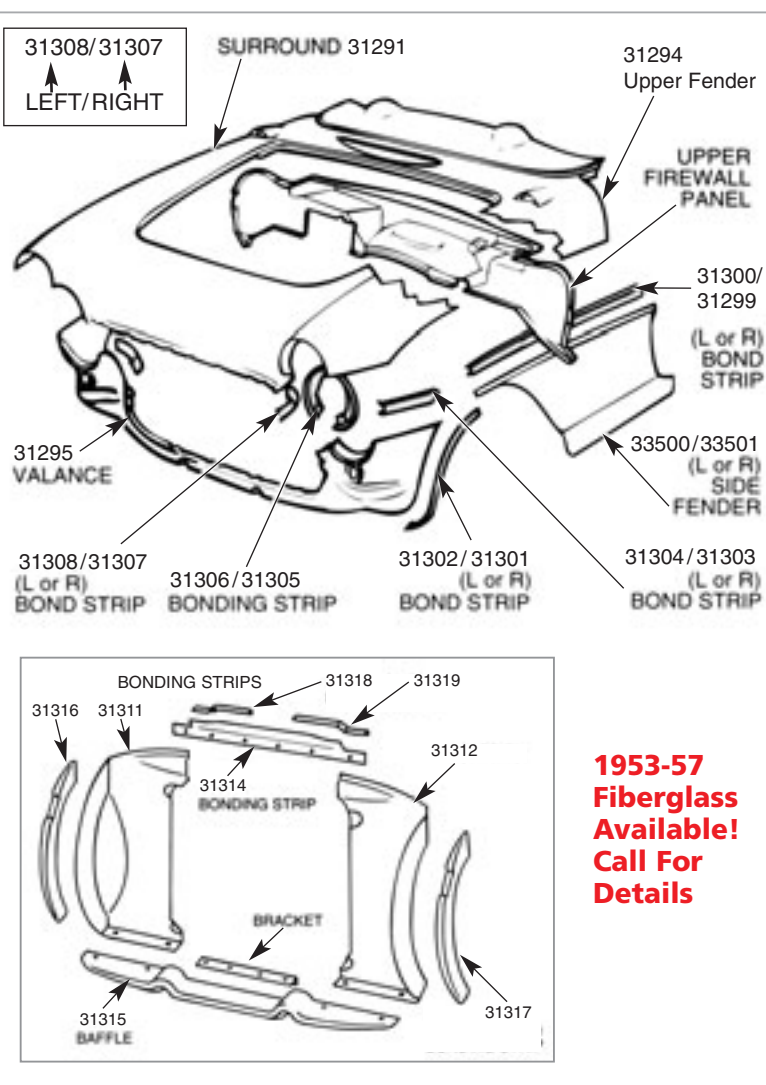
## 1958-62 Press Molded Inner Fender Skirt

• Reproduction Of Original

31355	Right	▲	479.99 ea.	32464	Left	▲	479.99 ea.
-------	-------	---	------------	-------	------	---	------------

## 1958-62 Press Molded Upper Headlight Opening Bonding Strip

31331	Right	🚗	63.99 ea.	31332	Left	🚗	63.99 ea.
-------	-------	---	-----------	-------	------	---	-----------



## 1959-62 Press Molded Hood Assemblies

• All Metal Hardware Installed • Ready To Bolt-On

43998	1958 Hood	🚗	1344.99 ea.
30170	1959-60 Hood	🚗	1179.99 ea.
30186	1961-62 Hood	🚗	1199.99 ea.
30166	1956-57 Hood	🚗	1199.99 ea.
31320	1956-57 Outer Skin	🚗	459.99 ea.

## Press Molded Front Ends & Components

### 1958-62 Jig-Fit Press Molded Assembled Front Ends

• Precisely Assembled In A Fixture - Ready To Install

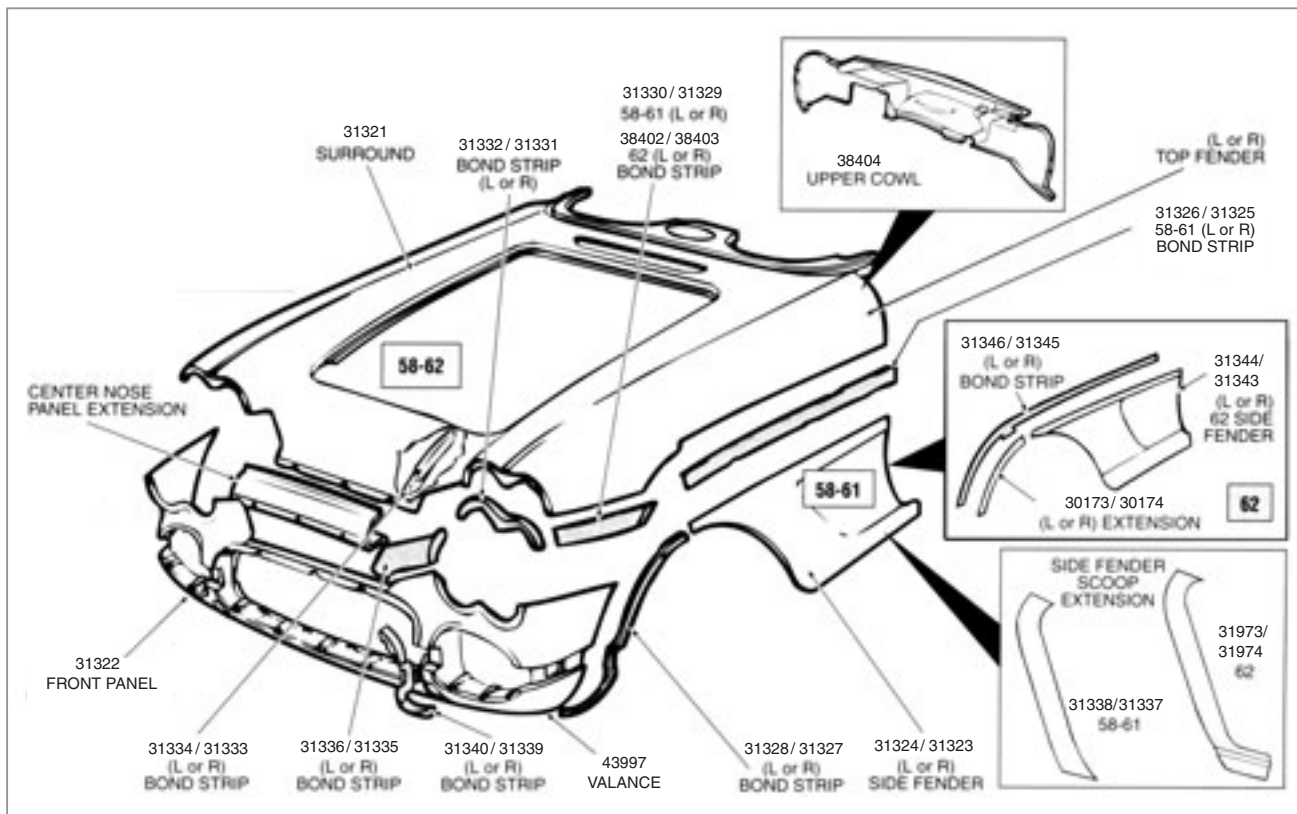
• Original Factory Adhesive Color And Texture

Completely assembled front ends include inner skirts.











Price includes crating charge. Allow four weeks lead time to assemble.

**38496** 1958-61 Front End  **4999.99 ea.**

**38497** 1962 Front End  **4999.99 ea.**



### 1958-62 Press Molded Front End Components

<b>31321</b>	1958-62 Upper Surround		<b>1179.99 ea.</b>
<b>31322</b>	1958-62 Lower Front Panel		<b>994.99 ea.</b>
<b>31324</b>	1958-61 Side Fender, Left		<b>479.99 ea.</b>
<b>31323</b>	1958-61 Side Fender, Right		<b>479.99 ea.</b>
<b>31344</b>	1962 Side Fender, Left		<b>479.99 ea.</b>
<b>31343</b>	1962 Side Fender, Right		<b>479.99 ea.</b>
<b>30173</b>	1962 Wheel Opening Lip, Left		<b>104.99 ea.</b>
<b>30174</b>	1962 Wheel Opening Lip, Right		<b>104.99 ea.</b>
<b>43997</b>	1958-62 Lower Front Valance Panel		<b>749.99 ea.</b>
<b>32464</b>	1958-62 Left Inner Skirt		<b>479.99 ea.</b>
<b>31355</b>	1958-62 Right Inner Skirt		<b>479.99 ea.</b>
<b>38404</b>	1958-62 Upper Firewall Cowl		<b>399.99 ea.</b>
<b>31326</b>	1958-61 Left Side Fender To Upper Surround Bonding Strip		<b>104.99 ea.</b>
<b>31325</b>	1958-61 Right Side Fender To Upper Surround Bonding Strip		<b>104.99 ea.</b>

<b>31346</b>	1962 Left Upper Surround To Side Fender Bonding Strip		<b>134.99 ea.</b>
<b>31345</b>	1962 Right Upper Surround To Side Fender Bonding Strip		<b>134.99 ea.</b>
<b>31334</b>	1958-62 Left Inner Skirt To Surround Bonding Strip		<b>49.99 ea.</b>
<b>31333</b>	1958-62 Right Inner Skirt To Surround Bonding Strip		<b>49.99 ea.</b>
<b>31332</b>	1958-62 Upper Left Headlight Opening Bonding Strip		<b>63.99 ea.</b>
<b>31331</b>	1958-62 Upper Right Headlight Opening Bonding Strip		<b>63.99 ea.</b>
<b>31330</b>	1958-61 Surround Panel To Valance Panel Outer Left Bonding Strip		<b>63.99 ea.</b>
<b>31329</b>	1958-61 Surround Panel To Valance Panel Outer Right Bonding Strip		<b>63.99 ea.</b>



## 1958-62 Side Fender Louvers Insert

31337	1958-61 Right *	35.99 ea.
31338	1958-61 Left *	35.99 ea.
31973	1962 Left	49.99 ea.
31974	1962 Right	49.99 ea.

\* Hand Laminated



## 1958-62 Front Bonding Strips

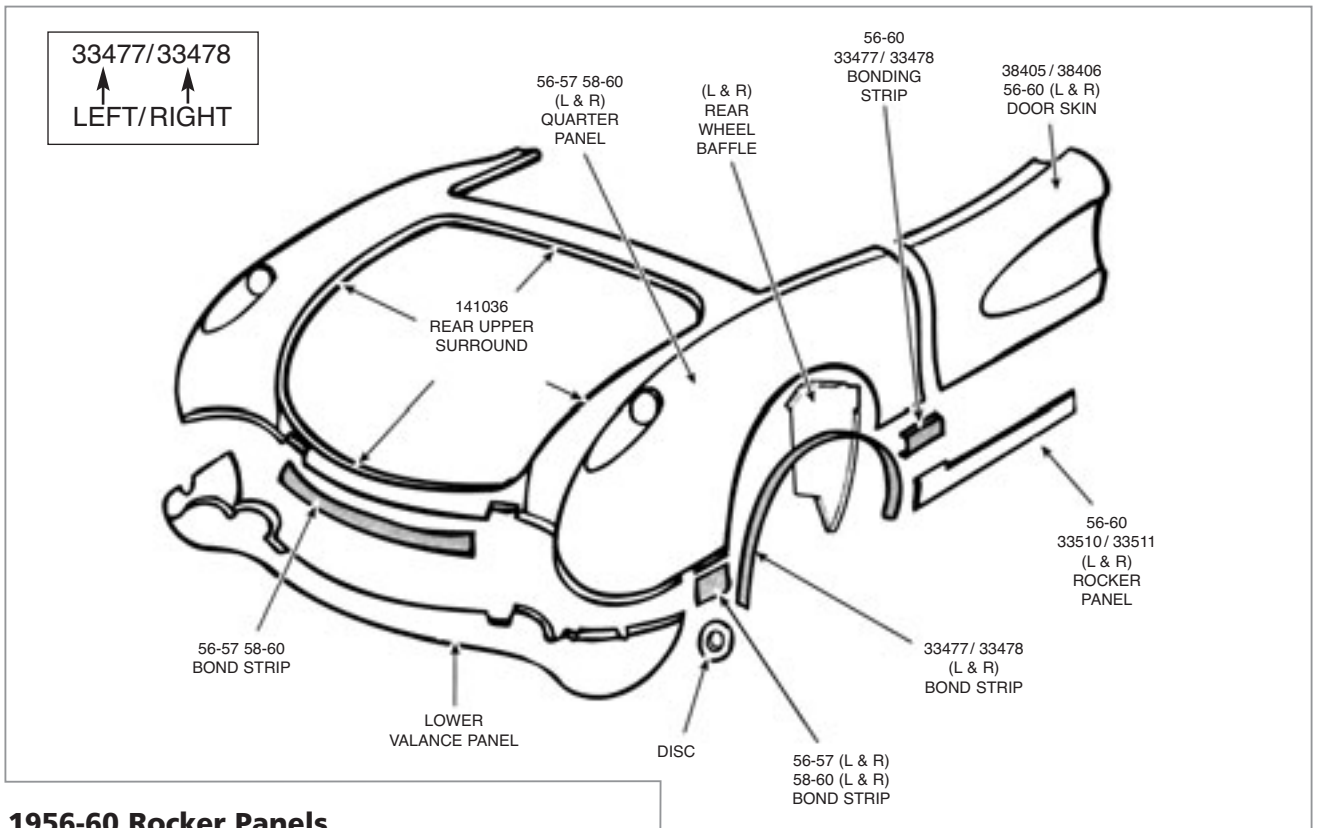
31328	1958-61 Wheel Opening, Left	89.99 ea.
31327	1958-61 Wheel Opening, Right	89.99 ea.
38402	1962 Front Panel/Surround, Left	63.99 ea.
38403	1962 Front Panel/Surround, Right	63.99 ea.
31340	1958-62 Inner Skirt, Front, Left	91.99 ea.
31339	1958-62 Inner Skirt, Front, Right	91.99 ea.



## 1958-62 Front Valance Panel Baffle

30172	▲	99.99 ea.
-------	---	-----------

## Press Molded Rear Ends & Components



## 1956-60 Rocker Panels

- Reproduction Of Original
- Press Molded Fiberglass

33510	Left	299.99 ea.	33511	Right	299.99 ea.
-------	------	------------	-------	-------	------------

## 1956-60 Rear Bonding Strips

- Reproduction Of Original
- Press Molded Fiberglass

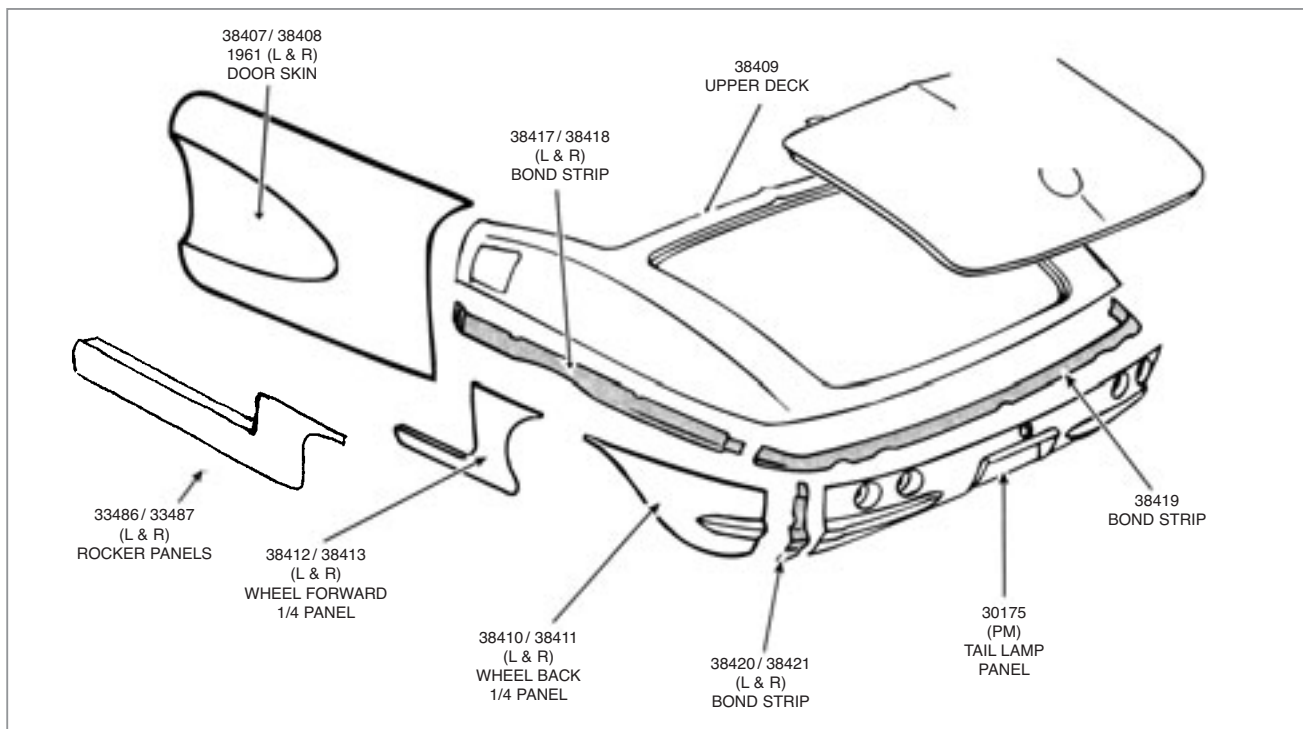
33477	1956-60 Left	63.99 ea.
33478	1956-60 Right	63.99 ea.

## 1956-60 Hand laminated Outer Door Skins

- Reproduction Of Original
- Press Molded Fiberglass
- Smooth Finish Front & Back
- Resin Pigmented To Original Factory Color

38405	1956-60 Left	▲	379.99 ea.
38406	1956-60 Right	▲	379.99 ea.

## Press Molded Rear Ends & Components



### 1962 Hand Laminated Outer Door Skins

- Reproduction Of Original

38407	Left (Specify Year)	▲	379.99 ea.
38408	Right (Specify Year)	▲	379.99 ea.

### 1961-62 Rear End Panels

- Reproduction Of Original
- Press Molded Fiberglass

38409	1961-62 Rear Upper Deck	🚗	539.99 ea.
30175	1961-62 Taillight Panel	▲	539.99 ea.
38410	1961-62 Rear Lower Fender, Left		231.99 ea.
38411	1961-62 Rear Lower Fender, Right		231.99 ea.

38412	1961-62 Rear Fender Front Lower, Left	209.99 ea.
38413	1961-62 Rear Fender Front Lower, Right	209.99 ea.

### 1961-62 Rear End Bonding Strips

- Reproduction Of Original
- Press Molded Fiberglass
- Smooth Finish Front & Back
- Resin Pigmented To Original Factory Color

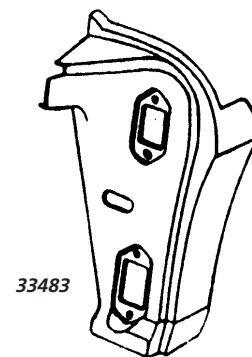
38417	Upper Panel, Left	119.99 ea.
38418	Upper Panel, Right	119.99 ea.
38419	Upper Panel, Rear	134.99 ea.
38420	Taillight/Rear Fender, Left	89.99 ea.
38421	Taillight/Rear Fender, Right	89.99 ea.

## 1956-62 Press Molded Interior Fiberglass Parts



### 1956-62 Interior Fiberglass Panels

33482	1958-62 Door Hinge Pillar Cover, Left	199.99 ea.
33483	1958-62 Door Hinge Pillar Cover, Right	199.99 ea.
A1242	1959-62 Package Tray	104.99 ea.
A1241	1959-62 Package Tray Support	104.99 ea.



A1240L	1958-62 Kick Panel, Left	89.99 ea.
A1240R	1958-62 Kick Panel, Right	89.99 ea.
30171	1958-62 Radio Control Panel	129.99 ea.
38422	1956-60 Transmission Tunnel	209.99 ea.